

EXHIBIT 1-A3:
 BASIC CONFIGURATION
 TYPICAL SECTIONS
 (1 of 4)
 NHPP 5501-029, 22420
 JULY 12, 2019



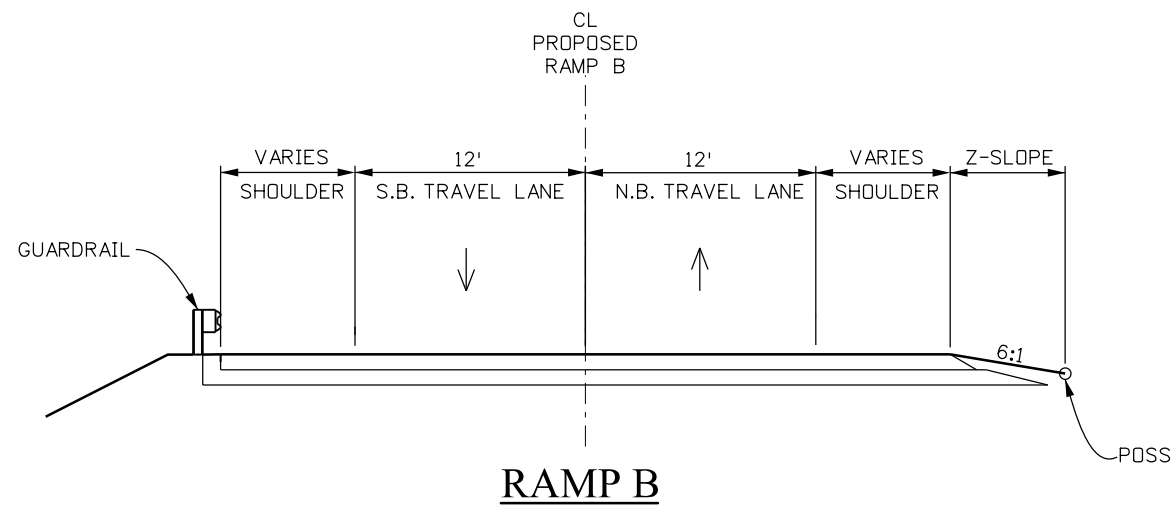
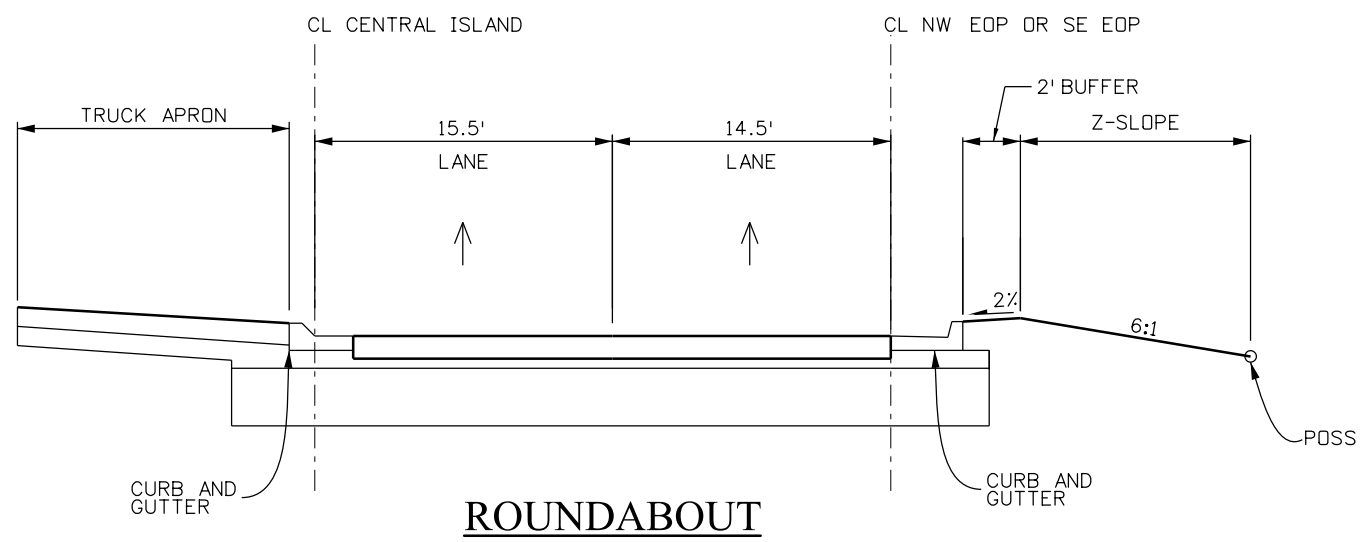
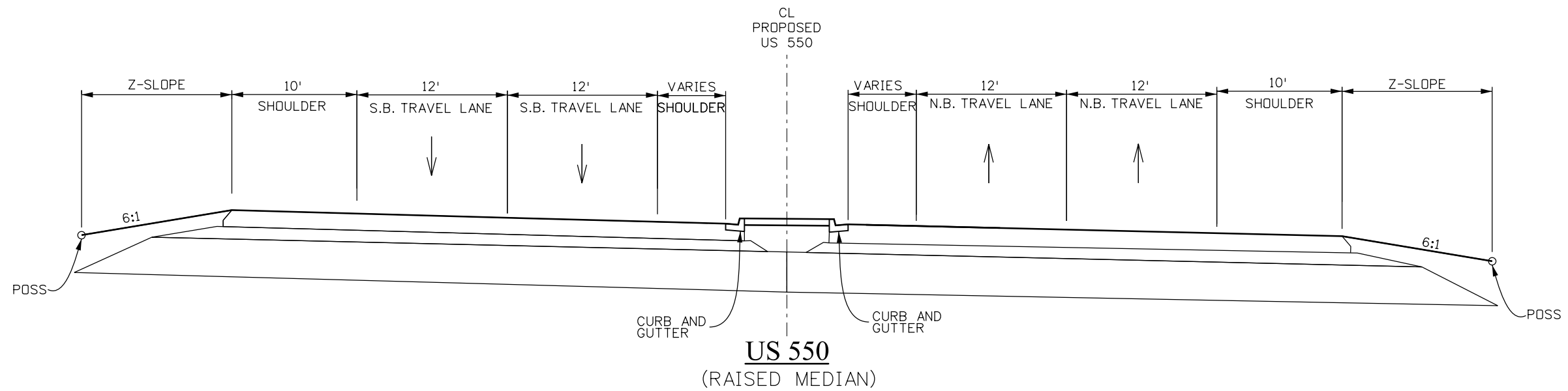


EXHIBIT 1-A3:
BASIC CONFIGURATION
TYPICAL SECTIONS
 (2 of 4)
 NHPP 5501-029, 22420
 JULY 12, 2019

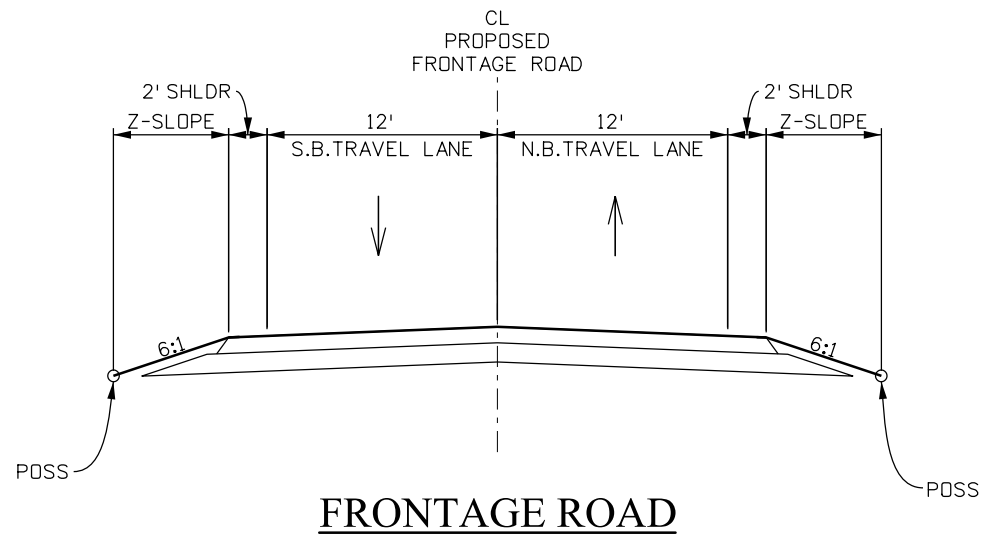
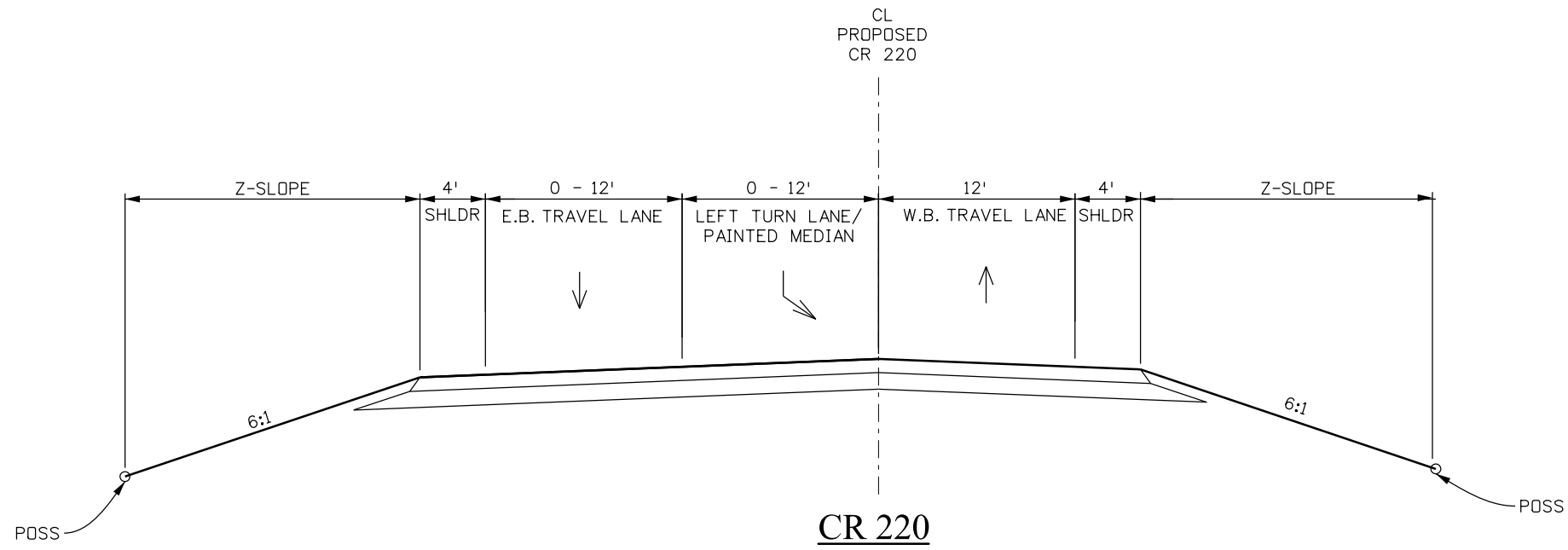


EXHIBIT 1-A3:
 BASIC CONFIGURATION
 TYPICAL SECTIONS
 (3 of 4)
 NHPP 5501-029, 22420
 JULY 12, 2019



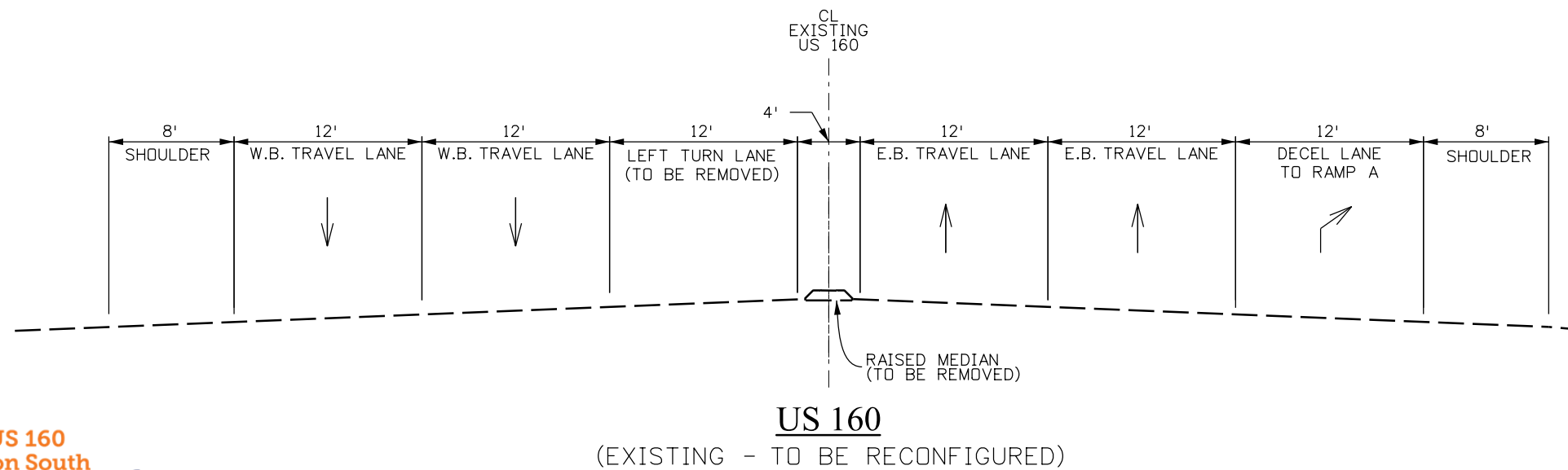
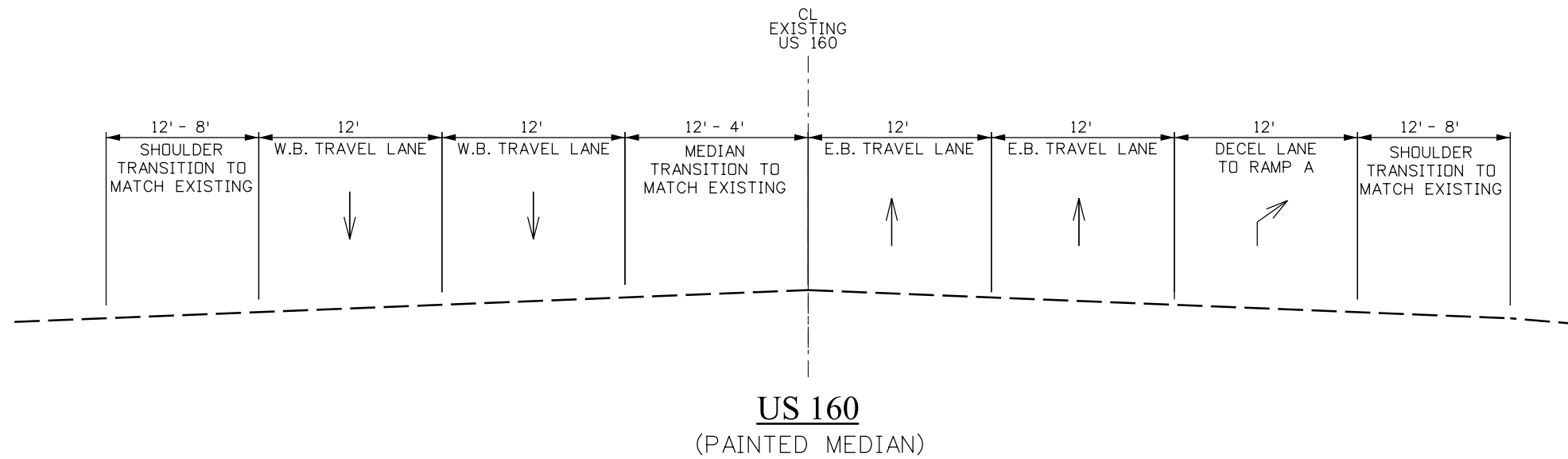
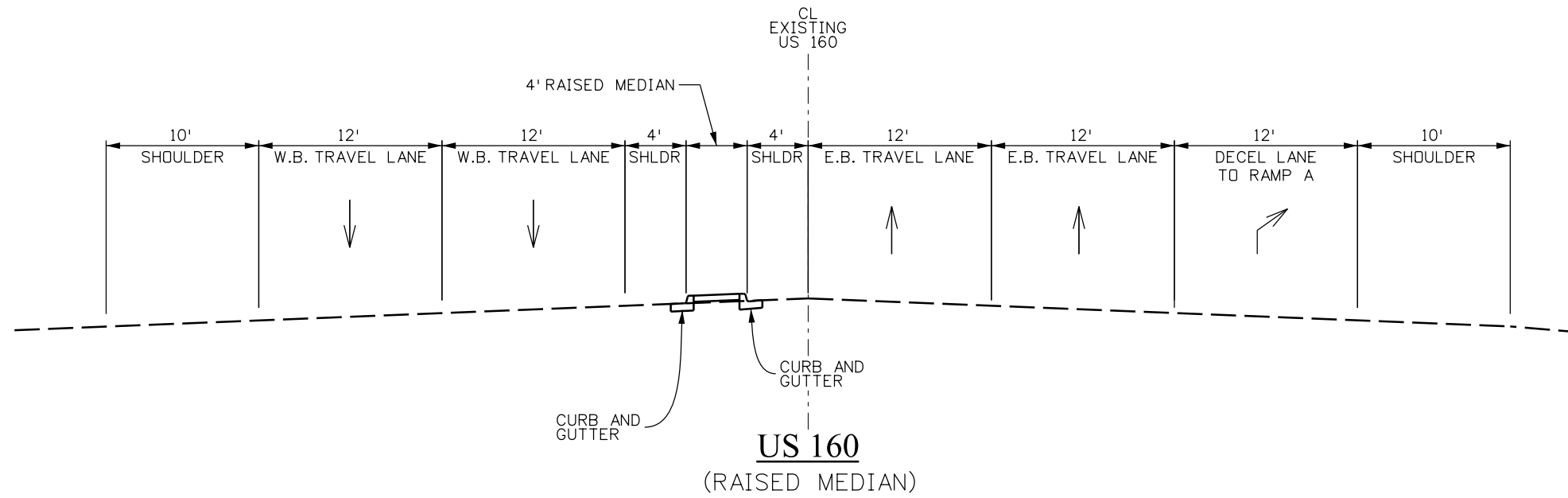


EXHIBIT 1-A3:
BASIC CONFIGURATION
TYPICAL SECTIONS
 (4 of 4)
 NHPP 5501-029, 22420
 JULY 12, 2019